

## Electric Room Thermostat Controller

- Orange LCD and blue back light touch key
- 7day\*24 hours on/off control
- 6 heat-supply periods of time control
- Multi-operate-mode
- Startup optimizing control
- All day long frostbite protection



## Operation Mode for Room temperature control system

(Only one mode available in one time)

4 types of mode, operate through touch-type key

<p><b>Manual Mode</b> A mode that effect according to user's manual setting.</p>	<p><b>Auto Mode</b> Maximum 6 periods of time can be preset to change temperature automatically for each day. Circulate in a week.</p>	<p><b>Holiday Mode</b> Maximum 6 periods of time can be preset to change temperature automatically. Circulate in a day.</p>	<p><b>Energy saving Mode</b> The prese temperaturer is 16°C, running at the most energy-saving mode.</p>
--	--	---	--

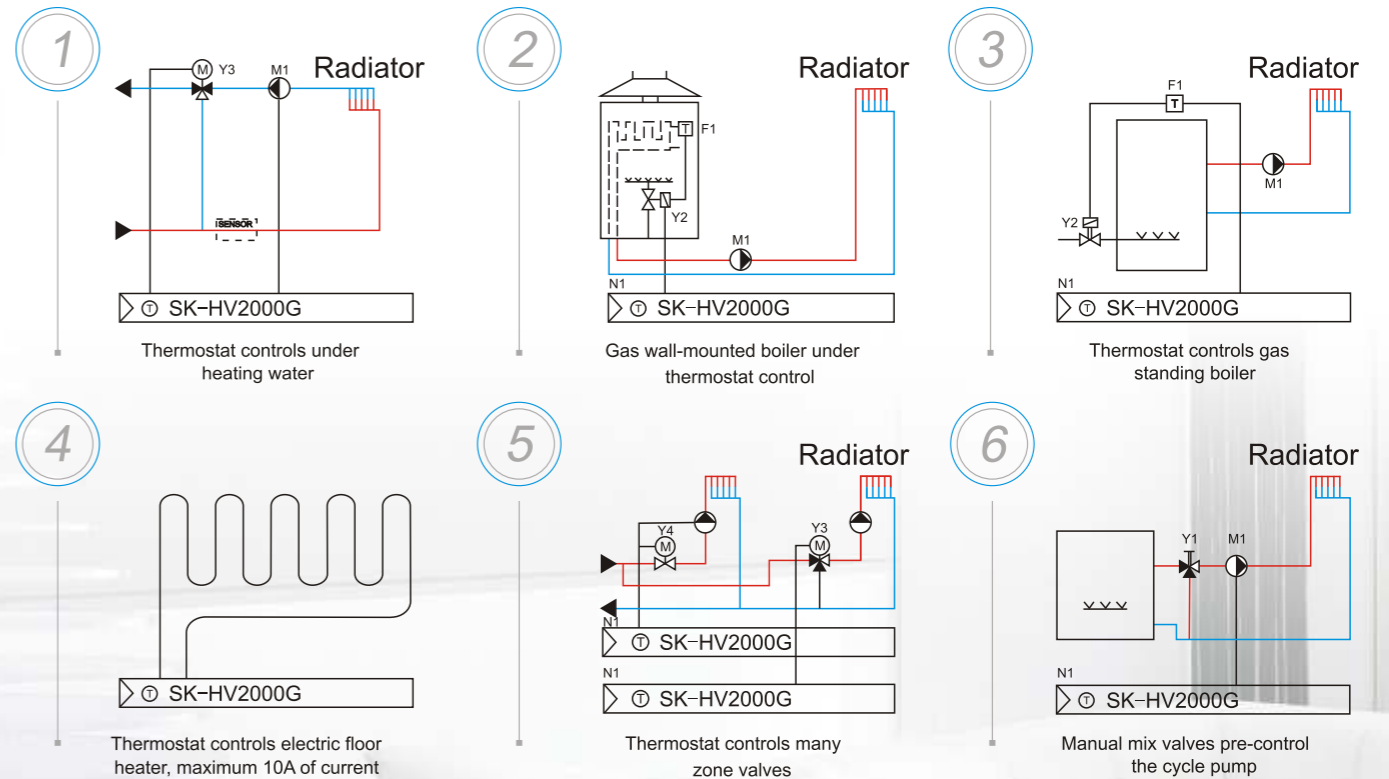
Wake up first period	Out in the morning second period	Back home at noon	Out in the afternoon Fourth period	Back at night fifth period	Sleep sixth period	Heating seventh period
----------------------	----------------------------------	-------------------	------------------------------------	----------------------------	--------------------	------------------------



### Application

## Electric Room Thermostat Controller

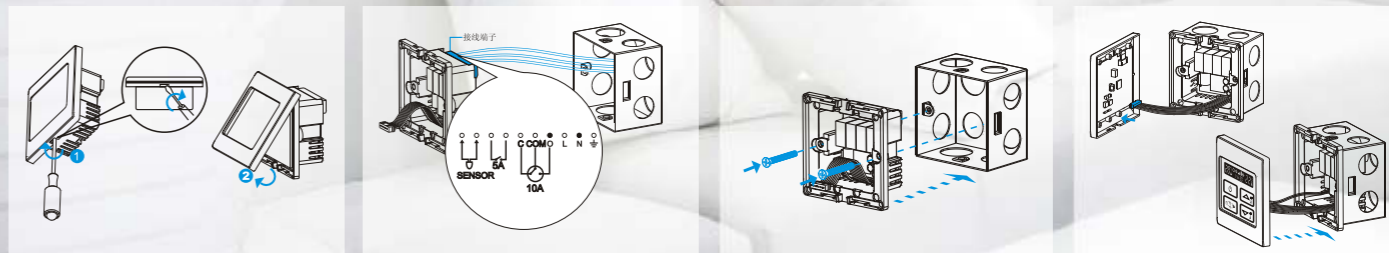
MODEL: SK-HV2000G



F1 Temperature protect sensor  
M1 Cycle pump  
Y3 Electric 3 pipes valves

Y1 2 pipes valves with manual control  
Y2 Electromagnetism valve  
Y4 Electric 2 pipes valves

### Installation



# retrotouch®

## Electric Room Thermostat SK - Hv2000

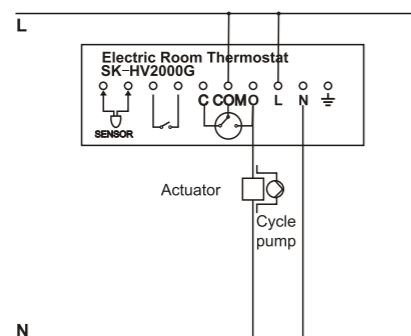


### Feature :

- On/Off control
- Auto on/off program for 7 days\*24 hours  
Maximum 6 heat-supply period per day
- Each heat-supply time period can control one temperature accordingly
- Manual control mode
- Sensor correction and reset function
- Anti-freezing and high temperature protection
- Minimum limitation for Setup point
- Holiday mode
- Energy saving mode
- Primary heat-supply period start up optimizing control

### Wiring diagram

- Thermostat controls thermal actuator



### Application :

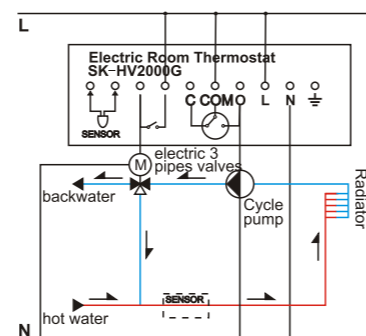
Temperature control for below rooms:

- Apartment, holiday house
- Office building, reference room or business places

Can control below equipment:

- Electromagnetism valve of water heater
- Electromagnetism valve of Boiler
- Forced ventilator of gas or oil burners
- Cycle pump and zone valves in heating system
- Fan machine of electric heating system or Electrical storage water heater
- Thermal actuator
- Heating equipment

- Thermostat controls underfloor heating water



## Electric Room Thermostat Controller for heating system